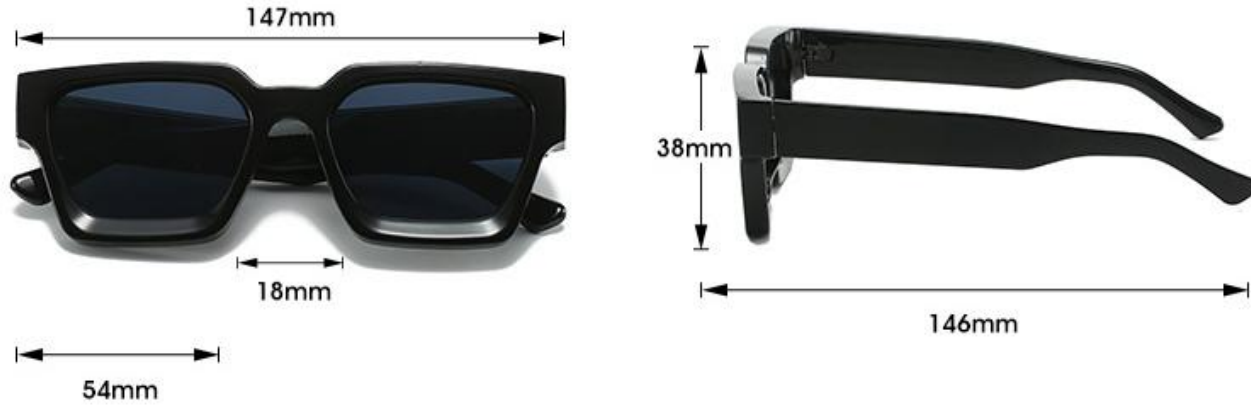


Model: 2226










Price: \$1.53

PRODUCT PROPERTIES



PS:the size of products is measured by hand,so the error is 1-3mm

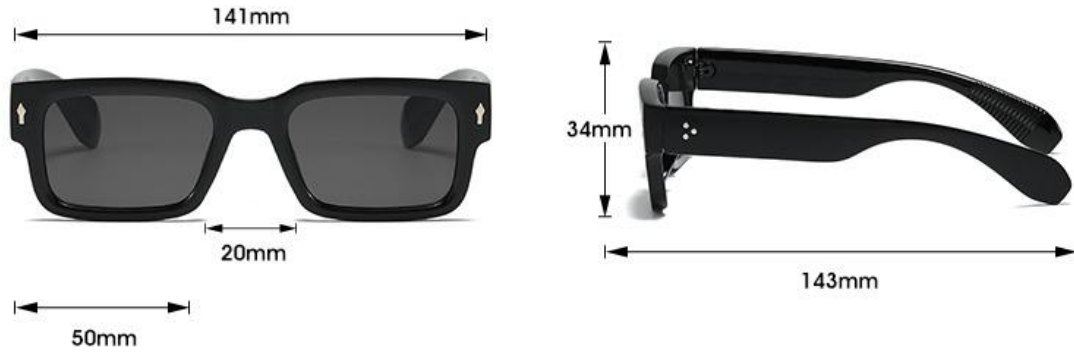
Model	/ ----	Frame Material	/PC
Gender	/ Unisex	Weight	/43.1g

-  1.BLACK/BLACK
-  2.BLUE/GRAY
-  3.LEOPARD/BLACK
-  4.TESTUDINARIOUS /BROWN
-  5.BROWN/BROWN
-  6.PINK/BLACK
-  7.GREEN/GREEN
-  8.WHITE/BLACK
-  9.BLACK LEOPARD/ GRAY
-  10.BLACK/BLUE
-  11.GRAY/BLACK
-  12.Black framed red film
-  13. Black/yellow
-  14. Black/green patch
-  15. Black/champagne slices
-  16. Black/purple flakes
-  17. Black/orange slices
-  18. Mute Black Champagne Tablets
-  20. Green box and red film
-  19. Leopard/green leg graypatch
-  20. Nine red / gray slice

Model: 2346

Price: \$1.89

PRODUCT PROPERTIES



PS:the size of products is measured by hand,so the error is 1-3mm

Model	/2346	Frame Material	/PC
Gender	/ Unisex	Weight	/35G



1.BLACK/BLACK



2.BLACK/GREEN



3.LEOPARD/BROWN



4.BROWN/BROWN



5.GREEN/GRAY



6.YELLOW/BLUE

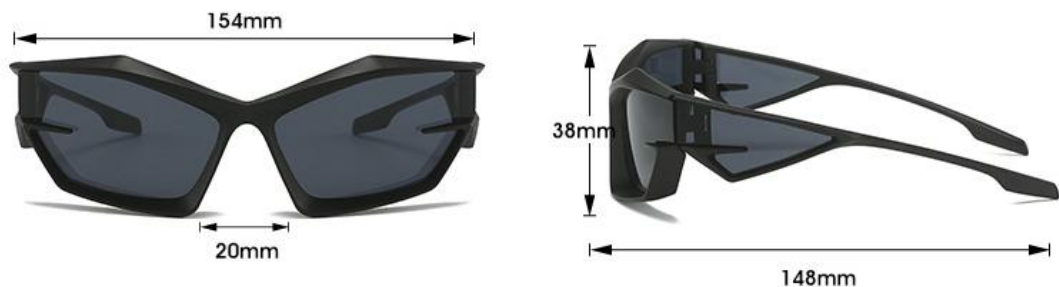


7.WHITE/BLACK

Model: 068

Price: \$2.12

PRODUCT PROPERTIES



PS:the size of products is measured by hand,so the error is 1-3mm

Model	/ 068	Frame Material	/PC
Gender	/ Unisex	Weight	/38.2g



1.BLACK/BLACK



2.RED/BLACK



3.ORANGE/BLACK



4.GREEN/BLACK



5.PURPLE/BLACK



6.TRANSPARENT /BLACK



7.BLACK/BLUE



8.YELLOW/YELLOW



9.GUN/SILVER



10.SILVER/BLACK



11.WHITE/BLACK

Model: 86320

Price: \$1.77

PRODUCT PARAMETERS



MODEL: 86320

LENS: PC

FRAME: PC

Weight: 51.5g



C1/BLACK BLACK
黑框黑灰片



C2/BEIGE BLACK
米框黑灰片



C3/TEA HAWKSBILL TEA
茶玳瑁双茶片



C4/HAWKSBILL GRAY
玳瑁框双灰片



C5/COFFEE BLACK
咖框黑灰片



C6/PURPLE YELLOW GRAY
紫黄框双灰片



C7/GRAY GRAY
透灰框双灰片



C8/GREEN BLACK
绿框黑灰片



C9/PURPLE TEA GRAY
紫茶框双灰片



C10/GREEN GREEN
透绿框绿片



C11/OLIVE BLACK
橄榄绿黑灰片



C12/BEIGE BLACK BLACK
米黑框黑灰片



C13/TEA TEA
茶框双茶片



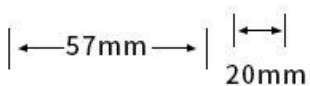
C14/BLACK HAWKSBILL BLACK
黑玳瑁黑灰片

Model: 23114

Price: \$2.24

6
CHOOSE
COLOUR

INFORMATION



MODEL: /

FRAME: METAL

LENS: PC

Weight: 36.2g

Gender: UNISEX



C1/GOLD BLACK
金框黑灰片



C2/GOLD GREEN
金框渐绿片



C3/GOLD TRANSPARENT
金框透明片



C4/GOLD BLUE
金框渐蓝片



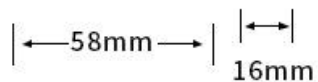
C5/GOLD GRAY
金框双灰片



C6/GOLD TEA
金框双茶片

Model: 8019 Price: \$2.2

INFORMATION



MODEL:	8019
FRAME:	METAL+PC
LENS:	PC
Weight:	30.8g
Gender:	UNISEX

5
CHOOSE
COLOUR



C1/GOLD BLACK
金框黑灰片



C2/GOLD GRAY
金框渐灰片



C3/GOLD TEA
金框渐茶片



C4/GOLD BLUE
金框渐蓝片



C5/GOLD GRAY PINK
渐框灰粉片

Model: 20937 Price: \$1.84

PRODUCT PROPERTIES



PS:the size of products is measured by hand,so the error is 1-3mm

Model / -----

Frame Material /PC

Gender / Unisex

Weight /31.2g



1.BLACK/BLACK

2.PURPLE/BLACK

3.TRANSPARENT PINK /PINK



4.GREEN/GRAY

5.BROWN/BROWN

6.PINK/PURPLE



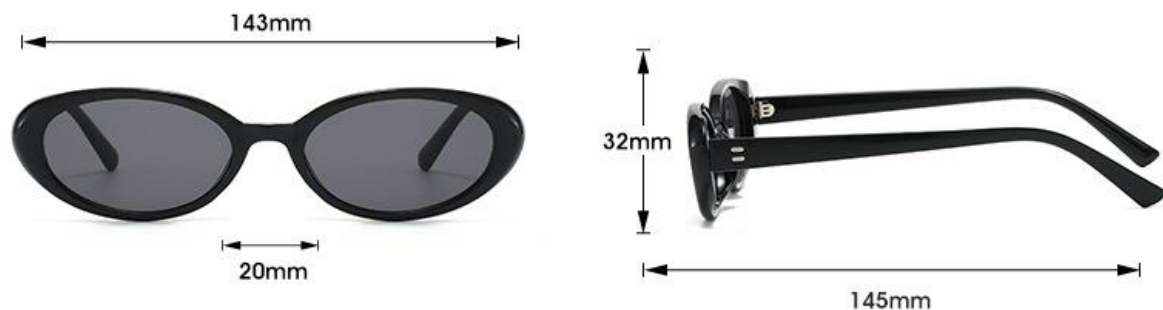
7.WHITE/BLACK

8.TRANSPARENT/SILVER

9.WHITE/BLUE

Model: 5035 Price: \$1.3

PRODUCT PROPERTIES



⚠ PS:the size of products is measured by hand,so the error is 1-3mm

Model	/ --	Frame Material	/PC
Gender	/ Unisex	Weight	/22g



1.BLACK/BLACK



2.LEOPARD/BLACK



3.LEOPARD/TEA



4.LEOPARD/GREEN



5.GREEN/BLACK



6.TEA/CHAMPAGNE



7.JELLY TEA/CHAMPAGNE



8.GREEN/BLUE



9.BEIGE/TEA



10.WHITE/BLACK

Model: 2387 Price: \$1.77

PRODUCT PARAMETERS



C1/BLACK BLACK
黑框黑灰片



C2/BEIGE YELLOW
米框黄片



C3/HAWKSBILL BLACK
玳瑁框黑灰片



C4/BLUE BLUE YELLOW
蓝框蓝黄片



C5/BLACK PURPLE
黑框紫片



C6/SAND BLACK TEA
砂黑框茶片



C7/BLACK RED
黑框红片



C8/BLACK YELLOW
黑框黄片

MODEL: 86608

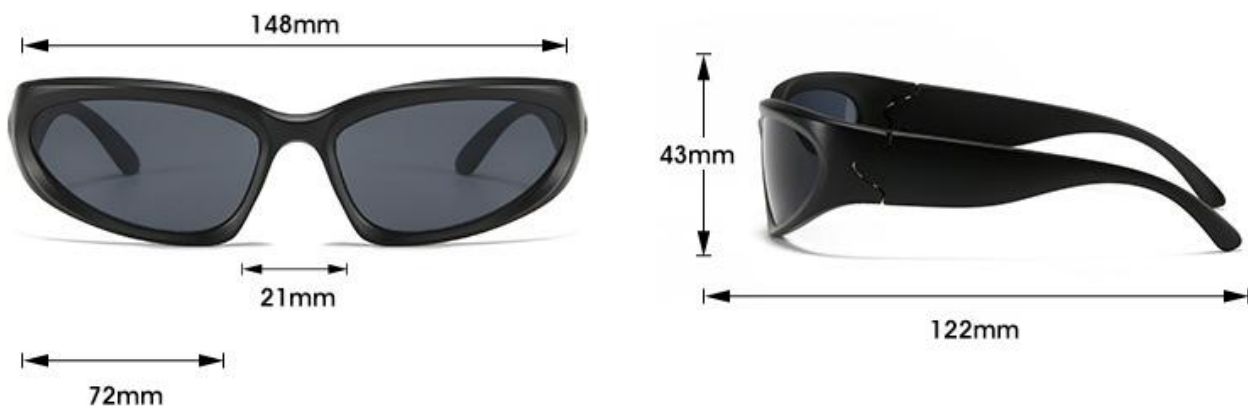
LENS: PC

FRAME: PC

Weight: 49.4g

Model: 20896 Price: \$1.42

PRODUCT PROPERTIES



PS:the size of products is measured by hand,so the error is 1-3mm

Model	/374	Frame Material	/PC
Gender	/ Unisex	Weight	/33G



1.BLACK/BLACK



2.BLUE/BLACK



3.BLACK/BLUE



4.BLACK/SILVER



5.SILVER/BLACK



6.GRAY/ BLACK



7.BLACK/GREEN



8.SILVER/SILVER



9.RED/BLACK



10.PURPLE/BLACK



11.GREEN/BLACK



12.BRIGHT BLUE/
BLACK



13.PINK/PINK

Model: 1212 Price: \$1.89

PRODUCT PROPERTIES



PS:the size of products is measured by hand,so the error is 1-3mm

Model / ---- Frame Material /PC

Gender / Unisex Weight /38.1g



1.BLACK/BLACK



2.BLACK/BLUE



3.BLACK/RED



4.PURPLE/PURPLE



5.PINK/PINK



6.WHITE/BROWN

Model: 86648

Price: \$2.12

PRODUCT PARAMETERS



MODEL: 86648

LENS: PC

FRAME: PC

Weight: 48.1g



C1/BLACK BLACK
黑框黑灰片



C2/HAWKSBILL TEA
玳瑁框茶片



C3/BLACK HAWKSBILL GRAY
黑玳瑁双灰片



C4/STRIPE GRAY
条纹框双灰片



C5/WHITE GREEN
白框绿片

Model: 86606 Price: \$1.89

PRODUCT PARAMETERS



MODEL: 86606

LENS: PC

FRAME: PC

Weight: 48.4g



C1/BLACK BLACK
黑框黑灰片



C2/BEIGE BLACK
米框黑灰片



C3/HAWKSBILL BLACK
玳瑁框黑灰片



C4/BLACK YELLOW
黑框黄片



C5/BLUE BLUE TEA
蓝框蓝茶片



C6/SAND BLACK BLACK
砂黑框黑灰片

Model: 99388 Price: \$2.12

PRODUCT PARAMETERS



C1/BLACK BLACK
黑框黑灰片



C2/HAWKSBILL BLACK
玳瑁框黑灰片



C3/RED BLACK
红框黑灰片



C4/RICE TEA
米框茶片



C5/PINK TEA
粉框茶片



C6/YELLOW YELLOW
黄框黄片



C7/WHITE BLACK
白框黑灰片

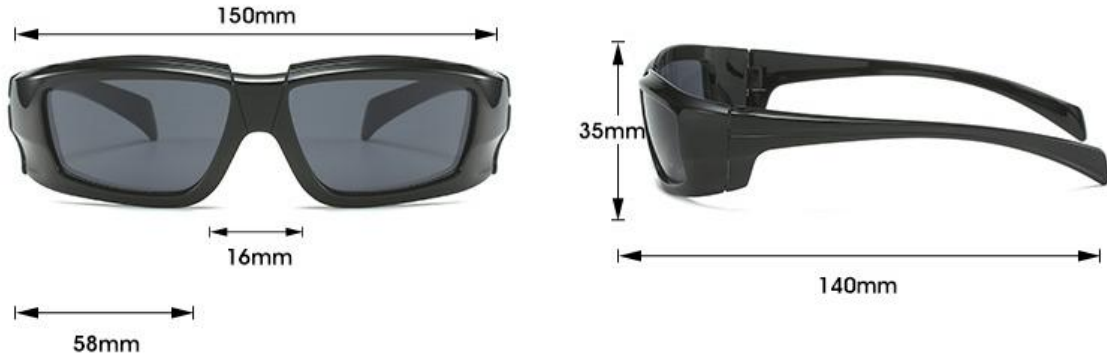


C8/SILVER SILVER
银框水银片

MODEL:	/	LENS:	PC
FRAME:	PC	Weight:	45.7g

Model: 20927 Price: \$1.65

PRODUCT PROPERTIES



PS:the size of products is measured by hand,so the error is 1-3mm

Model	/ ---	Frame Material	/PC
Gender	/ Unisex	Weight	/35.2g



1.BLACK/BLACK



2.BLACK/PURPLE



3.WINE RED/BLACK



4.BROWN/BROWN



5.BLUE/BLACK



6.GRAY/BLACK



7.SILVER/BLACK



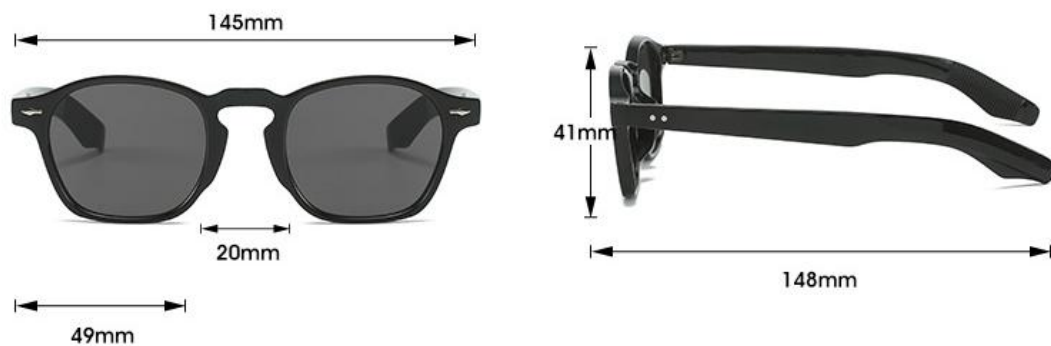
8.SILVER/SILVER



9.BEIGE/YELLOW

Model: 2351 Price: \$1.77

PRODUCT PROPERTIES



PS:the size of products is measured by hand,so the error is 1-3mm

Model / -----

Frame Materlal /PC

Gender / Unisex

Weight /38.3g



1.BLACK/BLACK



2.BLACK/BLUE



3.LEOPARD /G·BROWN



4.BROWN/BROWN



5.GRAY/GRAY



6.YELLOW/BLUE

Model: 99001

Price: \$2.36

PRODUCT PARAMETERS



MODEL: /

LENS: PC

FRAME: PC

Weight: 49.5g



C1/BLACK BLACK
黑框黑灰片



C2/RED BLACK
酒红框黑灰片



C3/ORANGE ORANGE
橙框橙片



C4/WHITE BLACK
白框黑灰片



C5/PINK PINK
粉框渐粉片



C6/PURPLE PURPLE
紫框紫片



C7/PINK GREY
粉框双灰片



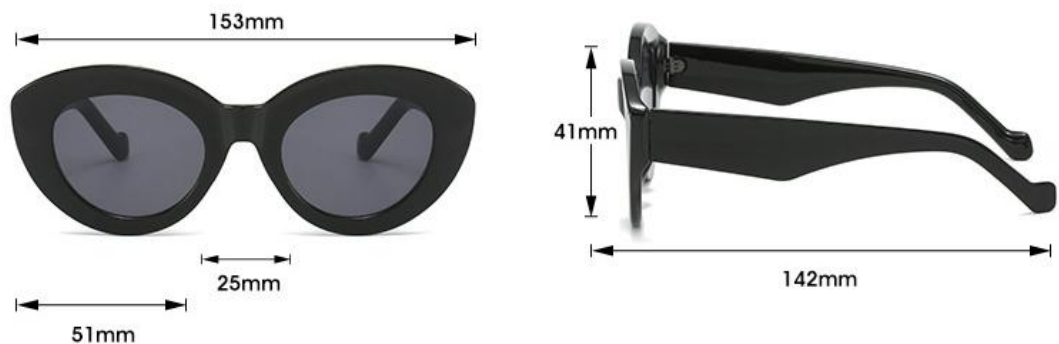
C8/RED BLACK
红框黑灰片



C9/GREEN
绿框绿片

Model: 95080 Price: \$1.54

PRODUCT PROPERTIES



PS:the size of products is measured by hand,so the error is 1-3mm

Model	/	Frame Material	/ PC
Gender	/ Unisex	Weight	/ 41.9g



1.BLACK/BLACK



2.BLACK LEOPARD/BLACK



3.LEOPARD/BLACK



4.ORANGE LEOPARD /BROWN



5.GREEN/GREEN



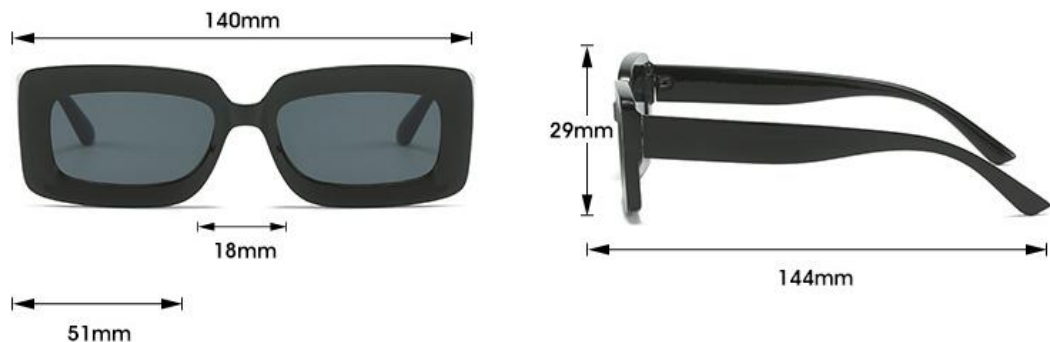
6.GRAY/BLACK



7.WHITE/BLACK

Model: 229405 Price: \$1.3

PRODUCT PROPERTIES



PS:the size of products is measured by hand,so the error is 1-3mm

Model	/ #	Frame Material	/PC
Gender	/ Unisex	Weight	/32g



1.BLACK/BLACK



2.LEOPARD/BROWN



3.GREEN/GREEN



4.PINK/BLACK



5.RED/PINK



6.BLUE/BLUE



7.LIGHT GREEN/
GREEN



8.BEIGE/
CHAMPAGNE



9.YELLOW/CHAMPAGNE

Model: 99031 Price: \$2.12

PRODUCT PROPERTIES



PS:the size of products is measured by hand,so the error is 1-3mm

Model	/ --	Frame Material	/PC
Gender	/ Unisex	Weight	/51.2g



1.BLACK/BLACK



2.BLACK/YELLOW



3.BLACK/BLUE



4.GREEN/BLACK



5.LEOPARD/CHAMPAGNE



6.LEOPARD/GREEN



7.ORANGE/YELLOW



8.ORANGE/BLUE



9.GRAY/GRAY

Model: 2204 Price: \$2.12

PRODUCT PARAMETERS



MODEL: 2204

LENS: PC

FRAME: PC

Weight: 27.3g



C1/BLACK BLACK
黑框黑灰片



C2/GREEN BLACK
透绿框黑灰片



C3/GREY BLACK
透灰框黑灰片



C4/HAWKSBILL BLACK
玳瑁框黑灰片



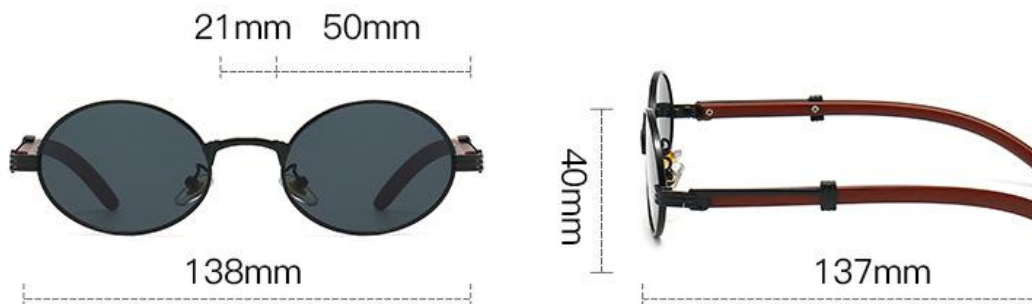
C5/BLACK TEA
黑框茶片



C6/WHITE BLACK
米白框黑灰片

Model: 3053 Price: \$2.83

PRODUCT PARAMETERS



MODEL: 3053

LENS: PC

FRAME: METAL+PC

Weight: 24.3g



C1/BLACK BLACK
黑框黑灰片



C2/GOLD YELLOW
金框黄片



C3/GOLD BLUE
金框渐蓝片



C4/GOLD TEA
金框双茶片



C5/GOLD BLACK
金框黑灰片



C6/GOLD TRANSPARENT
金框透明片

Model: 9338 Price: \$2.48

PRODUCT PARAMETERS



MODEL: 9338

LENS: METAL

FRAME: PC

Weight: 25.3g



C1/BLACK BLACK
黑框黑灰片



C2/GOLD BLUE TEA
金框蓝茶片



C3/GOLD TEA
金框茶片



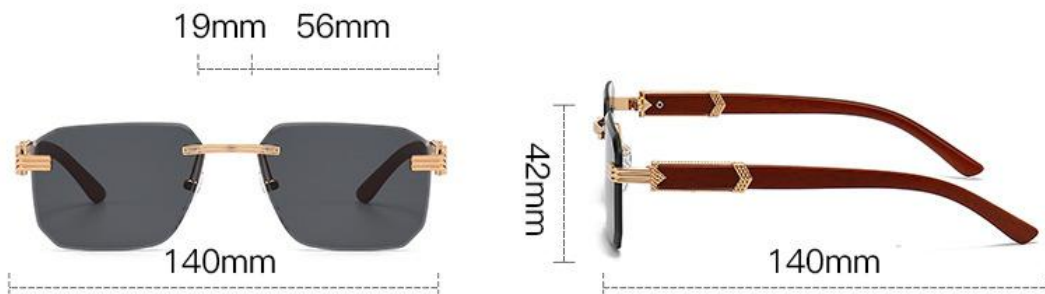
C4/GOLD GRAY PINK
金框灰粉片



C5/GOLD BLACK
金框黑灰片

Model: 8021 Price: \$2.6

PRODUCT PARAMETERS



MODEL:	/	LENS:	PC
FRAME:	METAL+PC	Weight:	27.9g



C1/GOLD BLACK
金框黑灰片



C2/GOLD GRAY
金框双灰片



C3/GOLD GRAY PINK
金框灰粉片



C4/GOLD TEA
金框双茶片



C5/GOLD BLUE TEA
金框蓝茶片

Model: 2132 Price: \$2.36

PRODUCT PARAMETERS



MODEL: S2132

LENS: PC

FRAME: PC

Weight: 42.3g



C1/BLACK BLACK
黑框黑灰片



C2/BLACK PURPLE
黑框紫片



C3/HAWKSBILL ORANGE
玳瑁框橙片



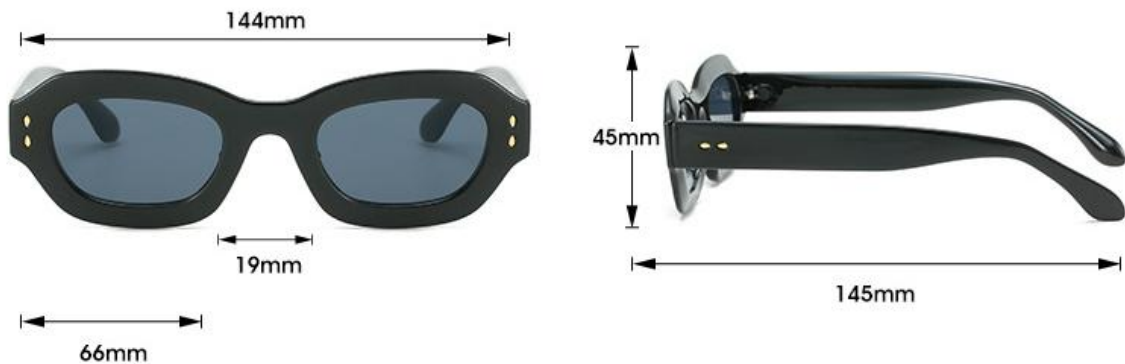
C4/BLUE GRAY
蓝框透灰片



C5/GREEN CHAMPAGNE
绿框香槟片

Model: 365 Price: \$2.12

PRODUCT PROPERTIES



PS:the size of products is measured by hand,so the error is 1-3mm

Model	/365	Frame Material	/PC
Gender	/ Unisex	Weight	/35G



1.BLACK/BLACK 2.BLACK/BLUE 3.LEOPARD/BROWN



4.TORTOISESHELL /BLACK 5.BROWN/BROWN 6.GREEN/BLACK



7.PINK/PINK

Model: 99380 Price: \$1.72

PRODUCT PARAMETERS



MODEL:	/	LENS:	PC
FRAME:	PC	Weight:	50.0g



C1/BLACK BLACK
黑框黑灰片



C2/HAWKSBILL GRAY
玳瑁框双灰片



C3/WHITE BLACK
白框黑灰片



C4/GRAY HAWKSBILL GRAY
灰玳瑁双灰片



C5/RED BLACK
红框黑灰片



C6/HAWKSBILL TEA
玳瑁框双茶片



C7/TEA TEA
透茶框茶片



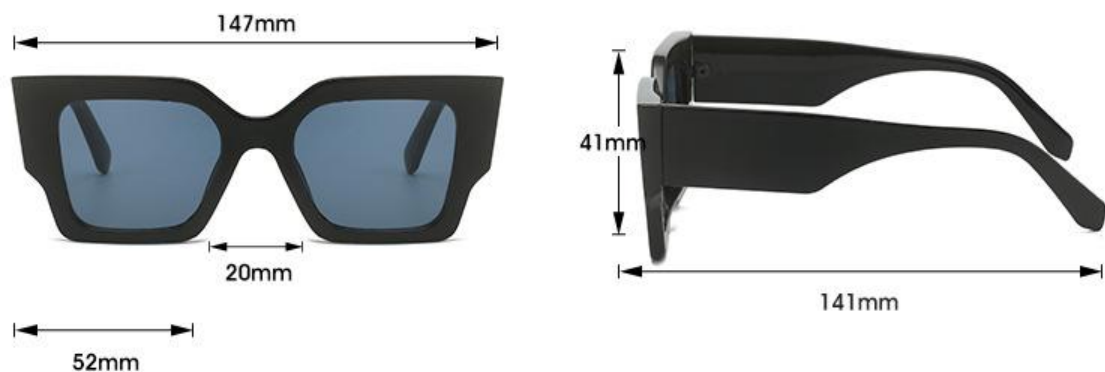
C8/BEIGE TEA
米框茶片



C9/Greyframe black
透灰框黑灰片

Model: 99111 Price: \$1.89

PRODUCT PROPERTIES



PS:the size of products is measured by hand,so the error is 1-3mm

Model	/ ----	Frame Material	/PC
Gender	/ Unisex	Weight	/45.5g



1.BLACK/BLACK 2.ROSE RED/BLACK 3.LEOPARD/GREEN



4.GRAY/BLACK 5.BROWN/BROWN 6.BROWN /CHAMPAGNE



7.BEIGE/SILVERY

Model: 9189 Price: \$1.77

PRODUCT PROPERTIES



PS:the size of products is measured by hand,so the error is 1-3mm

Model	/ 9189	Frame Material	/PC
Gender	/ Unisex	Weight	/36.6g



1.BLACK/GRAY



2.LEOPARD/BROWN



3.ROSE RED/GRAY



4.GREEN/GREEN



5.BROWN/GRAY BROWN



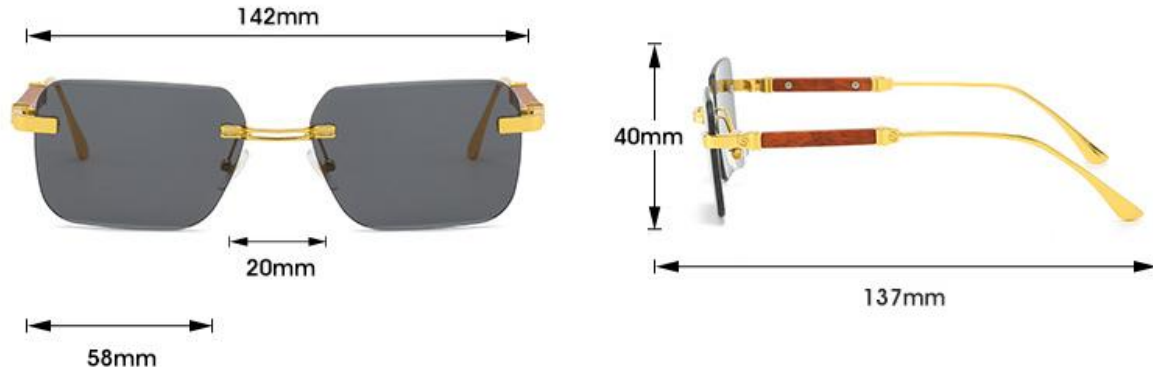
6.BLUE /BLUE YELLOW



7.WHITE/GRAY

Model: 6048 Price: \$2.6

PRODUCT PROPERTIES



PS:the size of products is measured by hand,so the error is 1-3mm

Model	/ --	Frame Materlal	/PC
Gender	/ Unisex	Welght	/31.8g



1.GOLD/BLACK



2.GOLD/GRAY



3.GOLD/GRAY PINK



4.GOLD/TEA



5.GOLD/GREEN



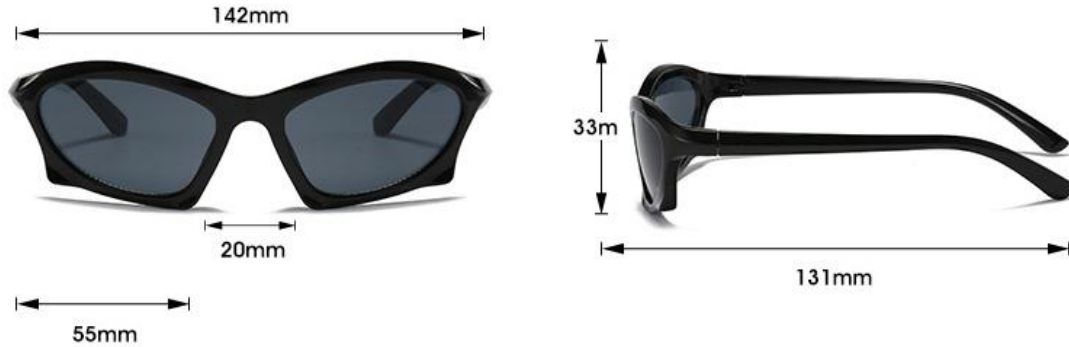
6.GOLD/BLUE



7.GOLD/WHITE

Model: 20916 Price: \$1.54

PRODUCT PROPERTIES



PS:the size of products is measured by hand,so the error is 1-3mm

Model	/ 20916	Frame Material	/PC
Gender	/ Unisex	Weight	/23.7G



1.BLACK/BLACK



2.YELLOW/BLACK



3.TEA/RED



4.SILVER/BLACK



5.SILVER/SILVER



6.GRAY/BLACK

924 - COLOR SHOW

Model: 924 Price: \$1.89

PARAMETER



Model:	924	Function:	ultraviolet-proof
Gender:	UNISEX	Weight:	43g
Frame material:	PC	Lenses material:	PC

< 1-2mm discrepancy may exist due to manual measurement >



黑框灰片
BLACK-GRAY



绿框灰片
GREEN-GRAY



茶框茶片
TEA-TEA



豆花框香槟片
DEMI-CHAMPAGNE



黑框渐灰片
BLACK-GRAY



茶豆花框渐茶片
DEMI-TEA



浅茶框渐茶片
TEA-TEA

957 - COLOR SHOW

Model: 957 Price: \$2.12

PARAMETER



21mm 53mm

143mm

145mm



黑框灰片
BLACK-GRAY

绿框灰片
GREEN-GRAY

白框灰片
WHITE-GRAY



米黄框茶片
BEIGE-TEA

黑大理石框紫片
BLACK MARBLE-PURPLE

黑大理石框橘片
BLACK MARBLE-ORANGE



茶豆花框渐茶片
DEMI-TEA

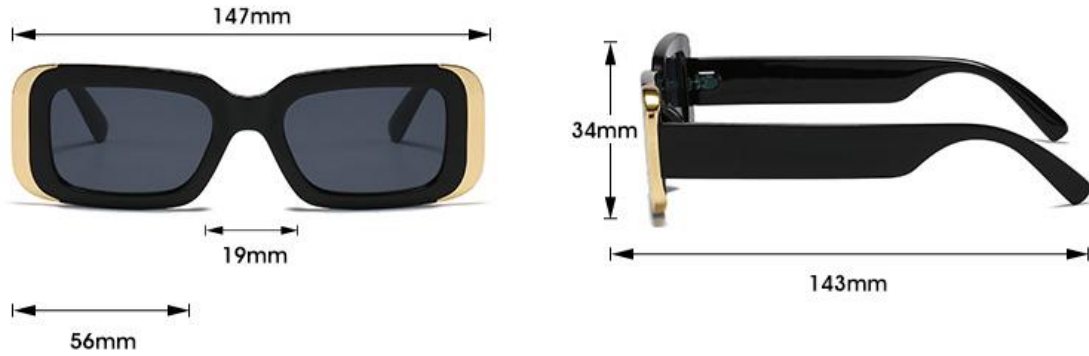
香槟框渐茶片
CHAMPAGNE-TEA

Model:	957	Function:	ultraviolet-proof
Gender:	UNISEX	Weight:	33g
Frame material:	PC	Lenses material:	PC

< 1-2mm discrepancy may exist due to manual measurement >

Model: 437 Price: \$2.36

PRODUCT PROPERTIES



PS:the size of products is measured by hand,so the error is 1-3mm



1.BLACK/BLACK 2.GRAY/GRAY PINK 3.LEOPARD/BROWN



4.BLACK/BLUE BROWN 5.RED/BLACK 6.PURPLE/BLACK



7.WHITE/BLACK

Model	/ M437	Frame Material	/PC
Gender	/ Unisex	Weight	/46.3G

Model: 1225 Price: \$1.89

PRODUCT PARAMETERS



MODEL: 1225

LENS: PC

FRAME: PC

Weight: 32.7g



C1/BLACK BLACK
黑框黑灰片



C2/YELLOW PURPLE
米黄框紫片



C3/GREEN BLACK
绿框黑灰片



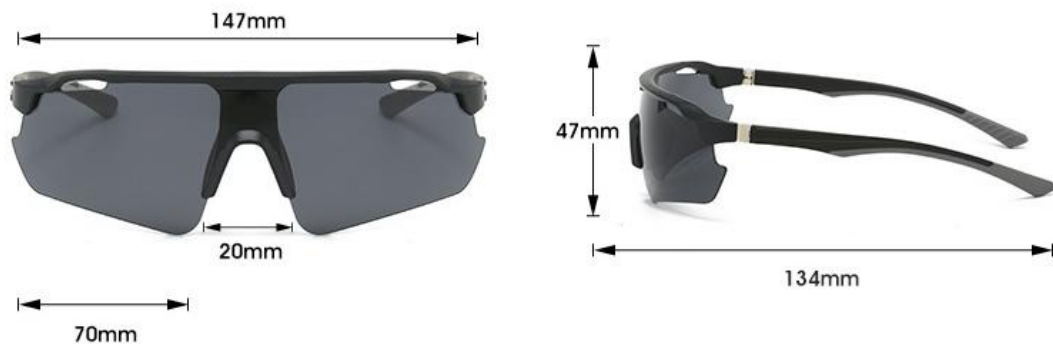
C4/PINK BLUE
粉框蓝片



C5/COFFEE TEA
咖框茶片

Model: 90951 Price: \$2.36

PRODUCT PROPERTIES



PS:the size of products is measured by hand,so the error is 1-3mm

Model	/---	Frame Material	/PC
Gender	/ Unisex	Weight	/30.2g



1.BLACK/BLACK



2.BLACK/ICE BLUE



3.GUN/BLACK



4.BLACK/GREEN



5.GOLD/RED



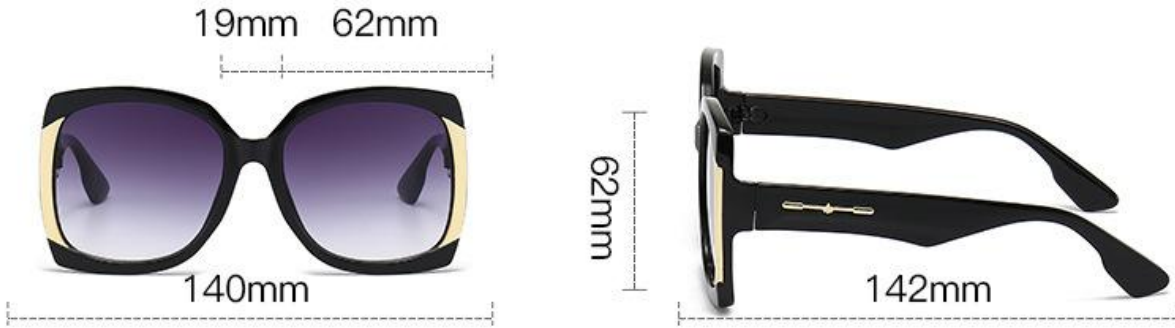
6.WHITE/GREEN



7.SILVER/SILVER

Model: 5601 Price: \$2.6

PRODUCT PARAMETERS



MODEL: 5601

LENS: PC

FRAME: PC

Weight: 41.0g



C1/BLACK GRAY
黑框双灰片



C2/TEA TEA
茶框双茶片



C3/HAWKSBILL TEA
玳瑁框双茶片



C4/PURPLE GRAY
紫框双灰片



C5/WHITE GRAY
白框双灰片



C6/GREEN BLUE YELLOW
绿框蓝黄片



C7/DARK TEA TEA ORANGE
深茶框茶橙片

Model: 8052 Price: \$2

PRODUCT PARAMETERS



C1/BLACK BLACK
黑框黑灰片



C2/DARK TEA BLACK
深茶框黑灰片



C3/TEA GREEN
浅茶框绿片



C4/PURPLE BLACK
紫框黑灰片



C5/GREEN BLACK
透绿框黑灰片

MODEL: 8052

LENS: PC

FRAME: PC

Weight: 31.9g

Model: 2202 Price: \$2.36

PRODUCT PARAMETERS



C1/BLACK BLACK
黑框黑灰片



C2/BLUE BLUE
蓝框蓝片



C3/TEA BLACK
茶框黑灰片



C4/HAWKSBILL BLACK
玳瑁框黑灰片

MODEL: 2202

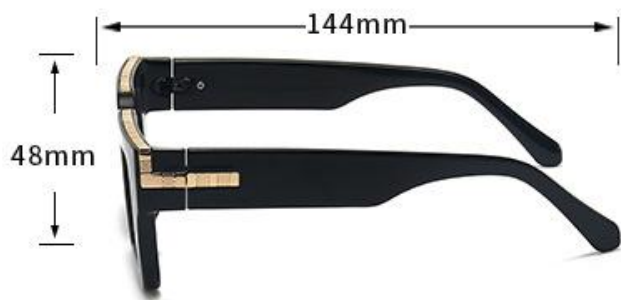
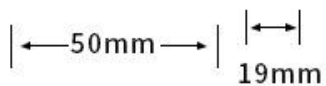
LENS: PC

FRAME: PC

Weight: 32.4g

Model: 381 Price: \$3.06

INFORMATION



MODEL:	M381
FRAME:	PC+METAL
LENS:	PC
Weight:	47.5g
Gender:	UNISEX

7
CHOOSE
COLOUR



C1/BLACK BLACK
黑框黑灰片



C2/BLACK GRAY
黑框双灰片



C3/GRAY TEA
灰框双茶片



C4/LEOPARD PRINT TEA
豹纹框双茶片



C5/GREEN GRAY BLUE
绿框灰蓝片



C6/PINK TEA PINK
粉框茶粉片



C7WHITE BLACK
白框黑灰片

Model: 99119 Price: \$2.12

PRODUCT PARAMETERS



C1/BLACK BLACK
黑框黑灰片



C2/GREEN GREEN
绿框绿片



C3/GREY TEA
灰框渐茶片



C4/BLACK RED
黑框红片



C5/BLACK BLUE
黑框蓝片



C6/HAWKSBILL TEA
玳瑁框茶片



C7/TEA TEA
茶框渐茶片



C8/GREY BLACK
深灰框黑灰片

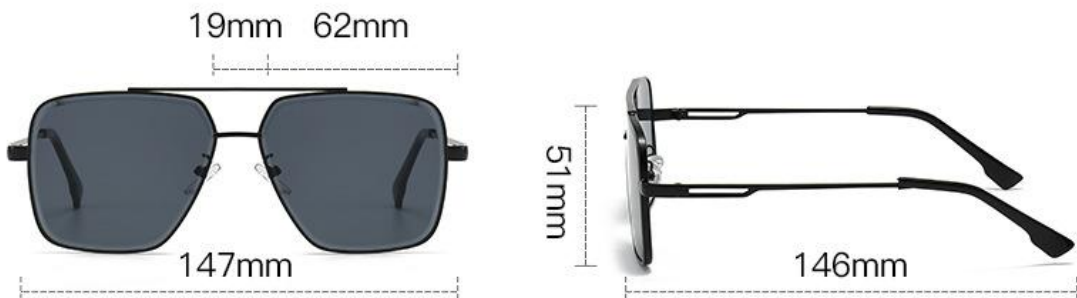


C9/BLACK YELLOW
黑框黄片

MODEL:	99119	LENS:	PC
FRAME:	PC	Weight:	31.0g

Model: 9280 Price: \$2.83

PRODUCT PARAMETERS



MODEL: 9280

LENS: METAL

FRAME: PC

Weight: 33.8g



C1/BLACK BLACK
黑框黑灰片



C2/GOLD BLACK
金框黑灰片



C3/GOLD TEA
金框渐茶片



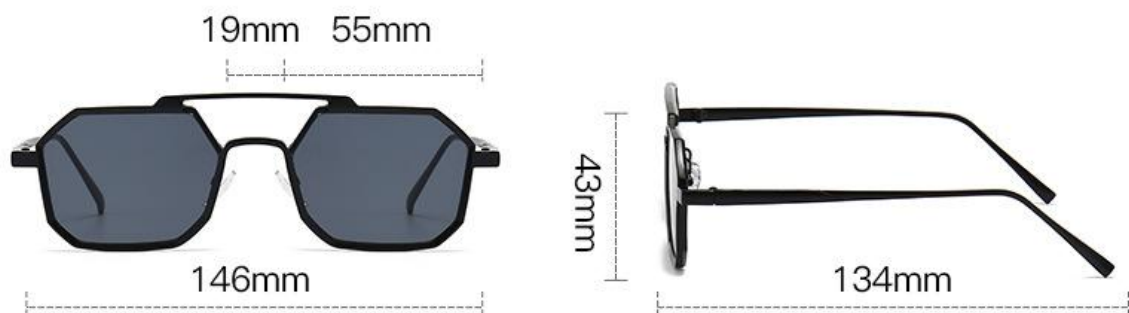
C4/GOLD BLUE TEA
金框蓝茶片



C5/GUN GRAY
枪框双灰片

Model: 9269 Price: \$2.48

PRODUCT PARAMETERS



C1/BLACK BLACK
黑框黑灰片



C2/GOLD GREEN
金框绿片



C3/GOLD BLACK
金框黑灰片



C4/GOLD TEA
金框茶片



C5/GUN BLACK
枪框黑灰片

MODEL: / LENS: PC

FRAME: METAL Weight: 40.0g